

CTSE010 Revenue Grade Split core Current Transformers

Miniature Revenue Grade Split Core Current Transformer

The CTSE010 Series of miniature revenue split-core current transformers are designed for fast and easy installation. The split core design permits non-contact current measurements through magnetic field induction without disconnecting cables circuits for CT installation. This method permits a safer, easier and portable current measurement.



This series open-type current transformer are intended for field installation within distribution and control equipment such as panelboards, switchboards, industrial control equipment, and energy-monitoring/management equipment, to measure current on a branch circuit. These transformers are intended for use in the metering of utility and nonutility electric power, and are rated for use in 600 V ac line-to-line circuits.



CTS Series

CTSA Series

CTSB Series

CTSE 010

FEATURES

- Rated Primary 5A to 100A
- Secondary Output:0.333V at rated current
- Optional:mA secondary output,standard winding ratios: 1:1000,1:2000 1:2500,1:3000



SPECIFICATIONS

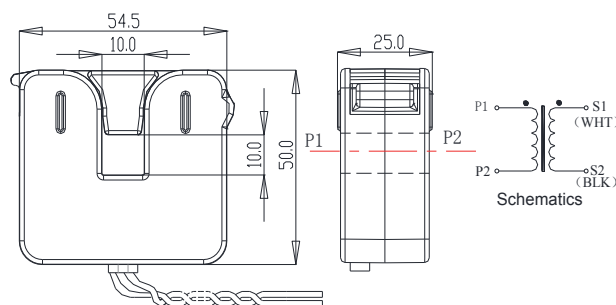
- Frequency:50Hz/60Hz
- Voltage rating: 600VAC rms. CAT III per UL2808 and 61010-1
- Dielectric withstand voltage 2500V for 1minute.
- Dielectric resistance:100M Ohms@500VDC
- Operating Temperature:-40°C to +55°C
- Leads:1.83m(6Ft),AWM 1015(optional:MTW1015)Twisted Pair, 0.82mm²(18AWG),600V,Black/White...
- Lead termination:Stripped and tinned.
- UL Listed to UL2808 and CSA C22.2 No. 61010-1
- RoHS compliant.

PERFORMANCES

- Accuracy Class:0.1,0.2,0.5,1.0,0.2S,0.5SOptional (IEC 61869-2)

ELECTRICAL SPECIFICATION

OUTLINE DRAWING



Moldel	Ratio	Rated Input(A)	Accuracy	Frequency	Remarks
CTSE010	1000:1	1A, 5A, 10A, 20A, 50A, 60A,	0.1,0.2S,0.5S	50/60HZ	High precision
	2000:1	75A, 100A			
	2500:1	10A, 20A, 50A, 60A, 75A,	0.5,1.0,	50/60HZ	High precision
	3000:1	100A			

Note: Output voltage signal, recommended priority of 0.333V

SHANDONG YUANXING Electronics Co.,Ltd.

Phone: +86-533-381-8450
Fax: +86-533-381-8724

NO.39, QIXIN AVENUE, ZHANGDIAN,
ZIBO, SHANDONG, CHINA 255095

www.yuanxing.net
sales@yuanxing.net